

# INSTALLATION GUIDE

**ITZA**  <sup>TM</sup>



## Introduction

---

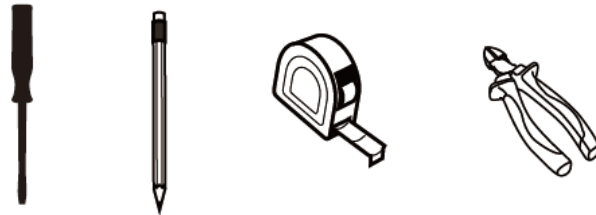
Thank you for purchasing ITZA product. We take pride in providing you with high quality products. Our loudspeaker will bring you years of pleasure for acoustic entertainment. This instruction booklet covers the necessary information for a quick guidance for your smooth installation.

ITZA S61P/65P is an advanced indoor/outdoor loudspeaker system that allows you to enjoy your favorite music in either remote locations around resident or in commercial spaces.

## Tools / Item Needed

---

1. Pencil
2. Measuring tape
3. Screw driver
4. Speaker wire
5. Wire stripper



## Product Parts

---

- a . Mounting Bracket
- b . Cable gland
- c . Rubber feed through
- d . Terminal cover
- e . Bracket knob
- f . Cabinet
- g . Grille

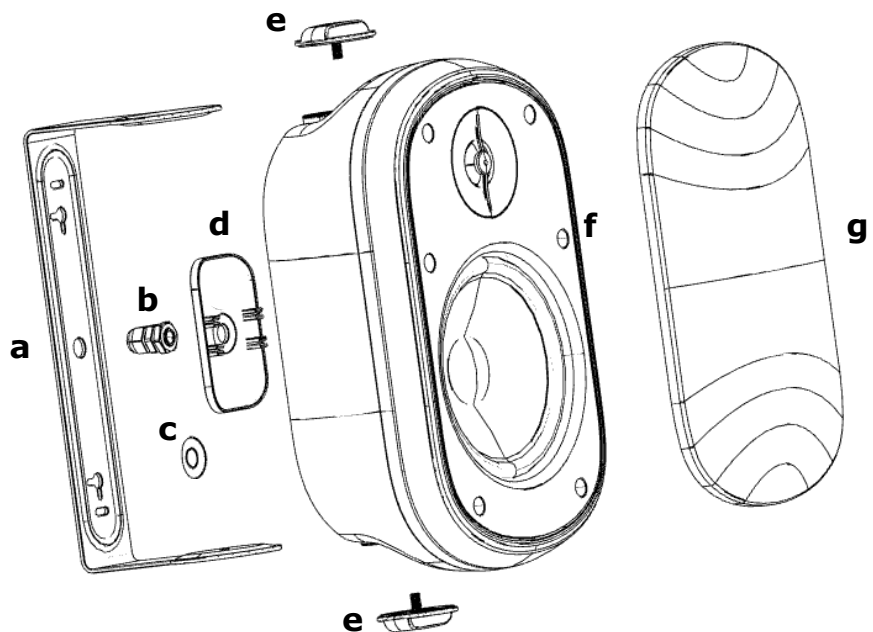
Dimensions:

W 201 mm

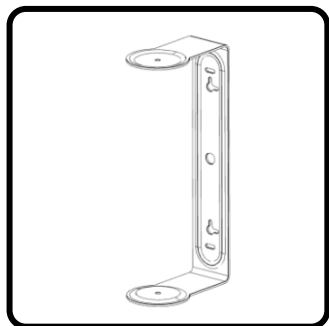
D 210 mm

H 320 mm

(with Mounting Brackets)

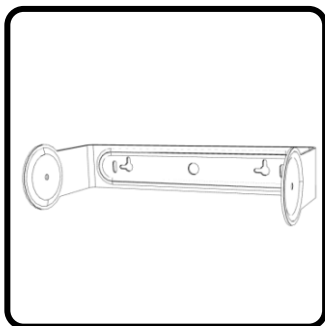


# Installation

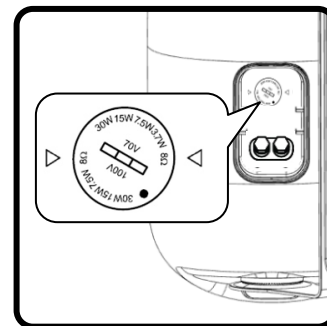


1. Vertical mounting

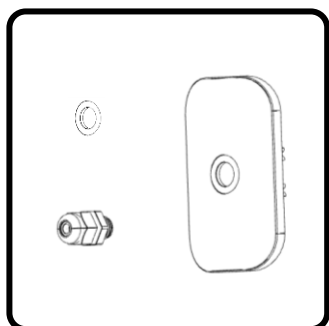
or



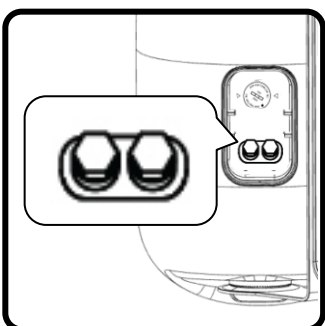
2. Horizontal mounting



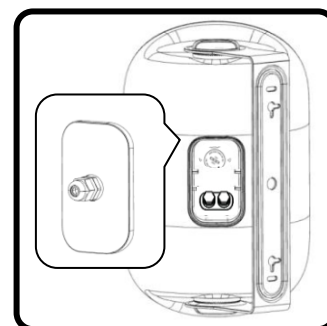
3. Adjust tap selector (for S61P)



4. Use Cable gland or rubber feed through on terminal cover

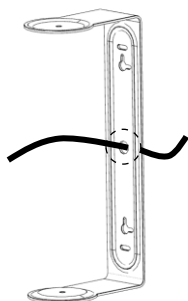


5. Wire input to binding post (Red: +, Black: -)

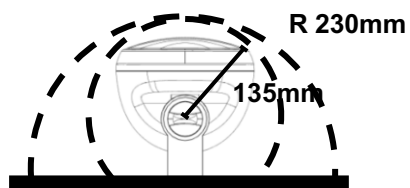


6. Tightly insert terminal cover into the cabinet groove

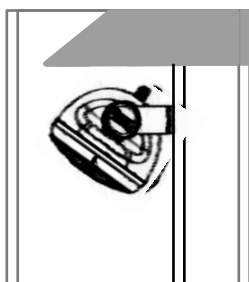
## Tips



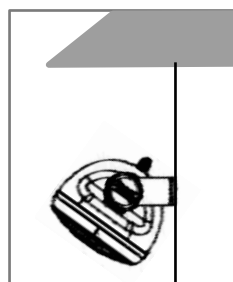
Get wire through the hole on bracket



Leave enough rotatable space



More bass output



Less bass output

# Limited Lifetime Warranty

---

ITZA warrants to the original retail purchaser only that this ITZA product will be free from defects in materials and workmanship, provided the speaker was purchased from an ITZA authorized dealer. If the product is determined to be defective, except for the grille, which is warranted for ten(10) years, it will be repaired or replaced at ITZA discretion. If the product must be replaced yet it is no longer manufactured, it will be replaced with a model of equal to or greater value that is the most similar to the original. If this is the case, installing the replacement model may require mounting modifications; ITZA will not be responsible for any such related costs.

## Requirements and Warranty Coverage

---

This warranty may not be valid if the product was purchased through an unauthorized dealer. This warranty only applies to the individual that made the original purchase, and it cannot be applied to other purchases. The purchaser must be prepared to provide proof of purchase (receipt). This warranty will not be valid if the identifying number or serial number has been removed, defaced, or altered. This warranty does not cover the following:

- Accidental damage
- Damage caused by abuse or misuse
- Damage caused by attempted repairs/modifications by anyone other than ITZA or an authorized dealer
- Damage caused by improper installation
- Normal wear, maintenance, and environmental issues
- Damage caused by voltage inputs in excess of the rated maximum of the unit
- Damage inflicted during the return shipment



[WWW.ITZAUDIO.COM](http://WWW.ITZAUDIO.COM)